

REFERENCE SPECIFICATIONS

-NFC 93425 (in compliance with HE 507)

PHYSICAL CHARACTERISTICS

- INSULATOR MATERIAL: THERMOPLASTIC ,UL94V0
- ACCESSORIES: STAINLESS STEEL or BRASS,
cadmium plated yellow passivation
- SHELLS: STEEL,
cadmium plated yellow passivation

ELECTRICAL CHARACTERISTICS

- CONTACT/CONTACT : >=1000 V
- CONTACT/GROUND : >=1200 V
- INSULATION RESISTANCE: >=5000 MOhms

ENVIRONMENTAL CHARACTERISTICS

- CLIMATIC CATEGORY: 55/125/56
TEMPERATURE RANGE -55°C TO +125°C
DAMP HEAT STEADY STATE 56 DAYS
SALT SPRAY 48 HOURS

DBMF5W5SN

Series ←

Shell size: **E A B C** ←
see sheet 2

Front accessory definition
see sheet 2

- Blank** :without accessory
- L** :threaded insert M3
- O** :threaded insert UNC 4-40
- V** :female screw UNC 4-40
- F** :floating mounting

Contacts ←
Layout of contacts (see sheet 3)

- S** :Socket ←
- N** :obligatory indication for HE 507 series ←



rev	ecn no	dr	date
A	LS06-0174	MPE	2006/11/14
B	LS07-0273	MPE	2007/10/30
-	-	-	-
-	-	-	-
-	-	-	-
-	-	-	-

www.fciconnect.com		surface	tolerance std	projection	mm
		ISO 1302	ISO 406 ISO 1101	⊕	←→
		TOLERANCES UNLESS OTHERWISE SPECIFIED		size	Scale
Dr	M PESSON	2006/11/14	ANGULAR	0.X ±0.3	A2 2:1
Eng	P LEGARE	2006/11/14	LINEAR	0.xx ±0.1	
Chr	P LEGARE	2006/11/14	0° ±2°	0.xxx ±0.05	ECN LS07-0273
Appr	P LEGARE	2006/11/14	Product family	-	Spec ref
		SUB FEMALE DMW		dag no	Rev.
		full power without contact		C01-8637-1731	B
catalog no		CUSTOMER		sheet 1 of 4	

Copyright FCJ

1 2 3 4 5 6 7 8

A

B

C

D

E

F

A

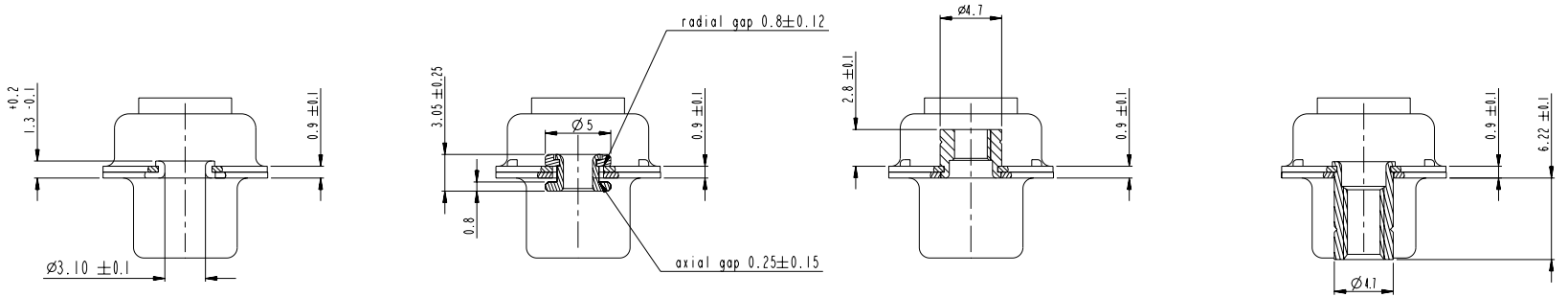
B

C

D

E

F



FRONT ACCESSORY	Blank without	F Floating mounting	L insert M3 O insert UNC 4.40	V Femelle screw UNC 4.40
-----------------	----------------------	----------------------------	--	---------------------------------

PART NUMBER	FRONT ACCESSORY
D*M*W*SN	without
D*ML*W*SN	insert M3
D*MO*W*SN	insert UNC 4-40
D*MV*W*SN	female screw UNC 4-40
D*MF*W*SN	floating mounting

shell size LAYOUTS

*	xWx
E	2V2
A	3V3
A	3W3
B	5W5
C	8W8

Copyright FCI.



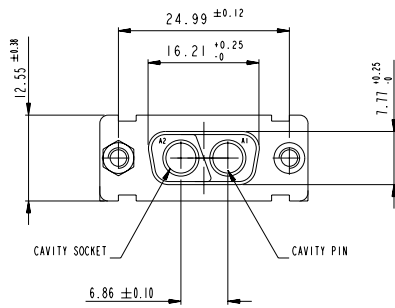
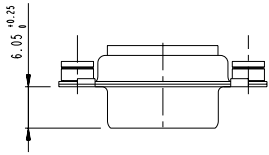
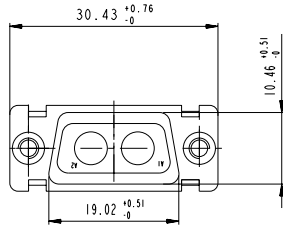
www.fciconnect.com		surface -	tolerance std	projection	mm
		ISO 1302	ISO 406 ISO 1101		
		TOLERANCES UNLESS OTHERWISE SPECIFIED			
Dr	M PESSON	2006/11/14	ANGULAR	0.X ±0.3	size A2 Scale 4:1
Eng	P LEGARE	2006/11/14	LINEAR	0.XX ±0.1	
Chr	P LEGARE	2006/11/14	0° ±2°	0.XXX ±0.05	ECN LS07-0273
Appr	P LEGARE	2006/11/14	Product family	-	Spec.ref
SUB FEMALE DMW full power without contact catalog no		drg no C01-8637-1731	Rev. B	CUSTOMER sheet 2 of 4	

SCALE: 4

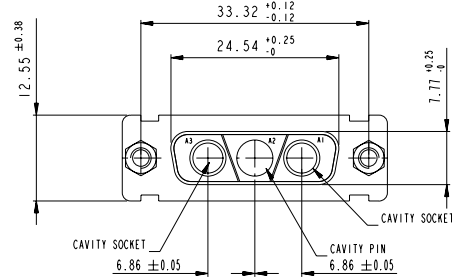
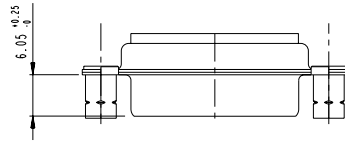
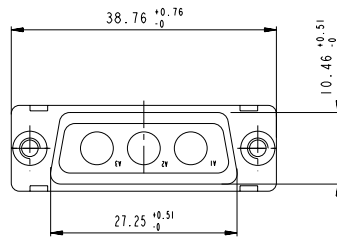
REV 7 - 2006-04-17

1 2 3 4 5 6 7 8

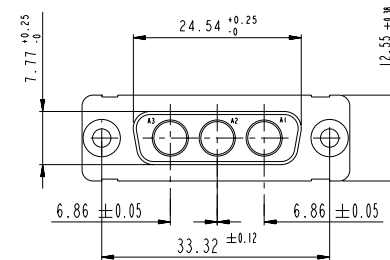
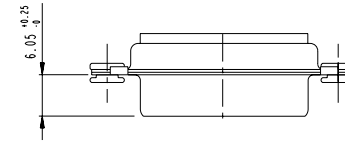
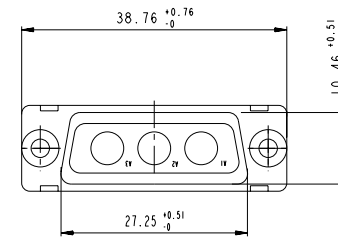
2V2



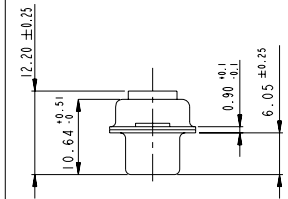
3V3



3W3

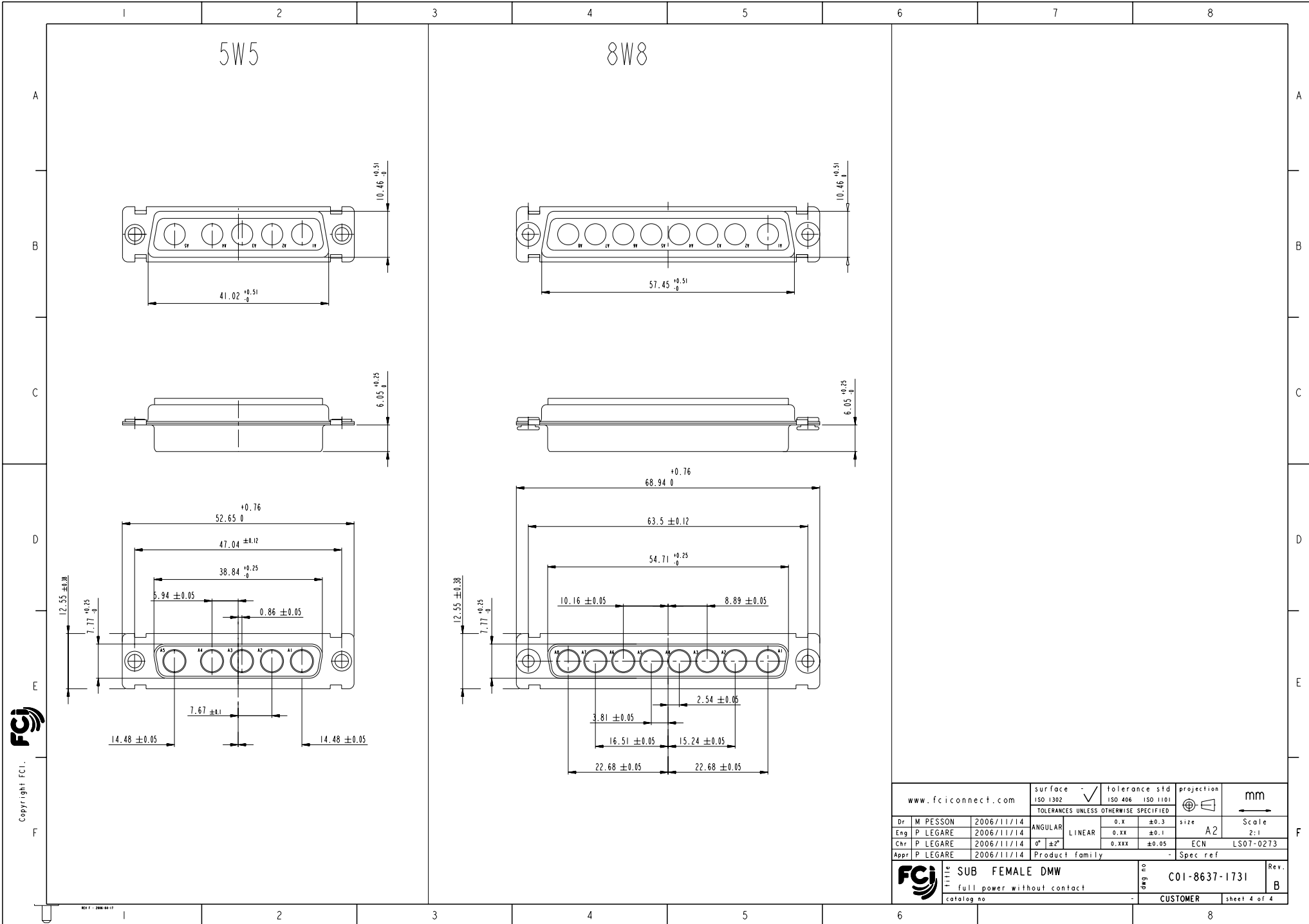


SIDE VIEW FOR LAYOUTS: E A B C



Copyright FCI.

www.fciconnect.com		surface -	tolerance std	projection	mm
		ISO 1302	ISO 406 ISO 1101		
		TOLERANCES UNLESS OTHERWISE SPECIFIED			
Dr	M PESSON	2006/11/14	ANGULAR	0.X ±0.3	size A2 Scale 2:1
Eng	P LEGARE	2006/11/14	LINEAR	0.XX ±0.1	
Chr	P LEGARE	2006/11/14	0° ±2°	0.XXX ±0.05	ECN LS07-0273
Appr	P LEGARE	2006/11/14	Product family	-	Spec ref
		SUB FEMALE DMW		ang no	Rev.
		full power without contact		C01-8637-1731	B
		catalog no	CUSTOMER	sheet 3 of 4	



Copyright FCI.

www.fciconnect.com		surface ISO 1302	tolerance std ISO 406 ISO 1101	projection mm
		TOLERANCES UNLESS OTHERWISE SPECIFIED		
Dr M PESSON	2006/11/14	ANGULAR	0.X ±0.3	size A2 Scale 2:1
Eng P LEGARE	2006/11/14	LINEAR	0.XX ±0.1	ECN LS07-0273
Chr P LEGARE	2006/11/14	0° ±2°	0.XXX ±0.05	Product family - Spec ref
Appr P LEGARE	2006/11/14			
FCI SUB FEMALE DMW		cat no	C01-8637-1731	Rev. B
full power without contact		CUSTOMER	sheet 4 of 4	